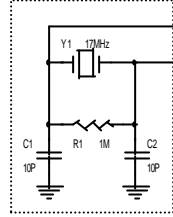
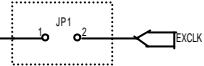


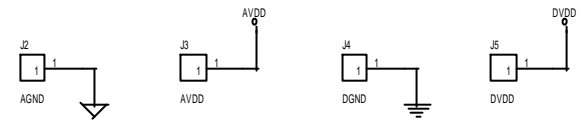
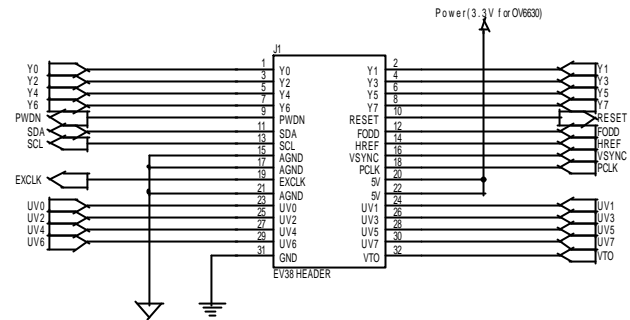
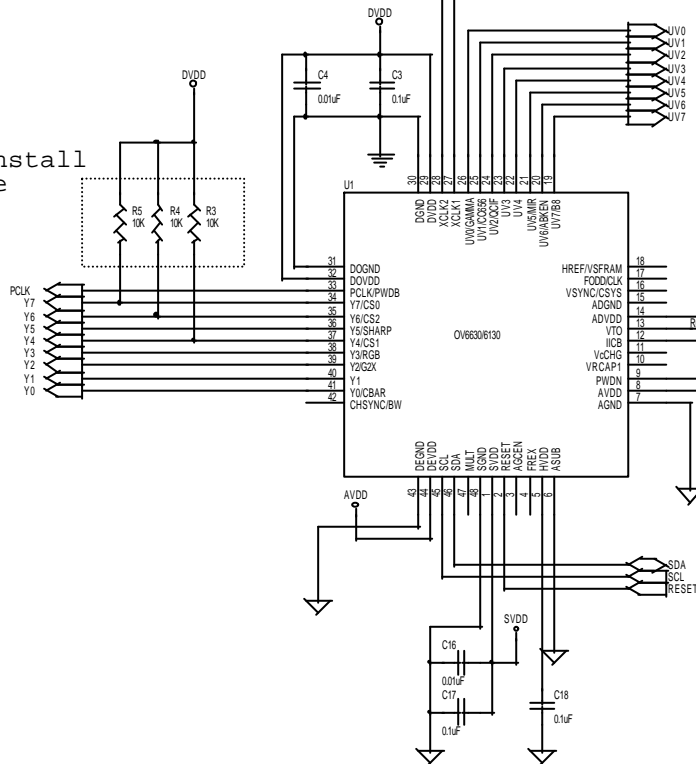
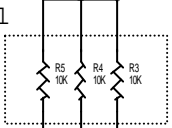
*Do not install when external clock input available.



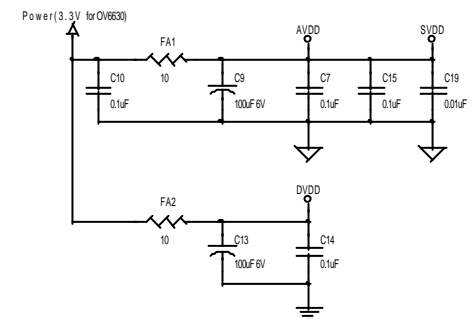
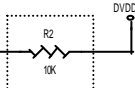
*Connect JP1 only for external clock input available.



*Do not install for single camera.



*Do not install for I2C control.



[Dashed Box] : Option

| | | |
|------|-----------------------------|--------------|
| C | | |
| File | C-3 (038M)038 | |
| Size | Document Number | Rev |
| A3 | OV6630/OV6130 | A |
| Date | Wednesday, October 31, 2001 | Sheet 1 of 1 |